

# Fixture Mount PIR High-Bay Wet Location External Occupancy Sensor



OSFHW



OSFHW  
(with Aisle Mask installed)



OSFHW with  
OSFOL Adapter

## DESCRIPTION

The Fixture Mount PIR High-Bay Wet Location External Occupancy Sensor (OSFHW) is ideal for damp or wet locations such as supermarket meat departments, food processing plants, parking garages and other wash down, high ceiling applications. The OSFHW features a IP65 rating for indoor and outdoor locations and is designed to withstand dust and pressure washers. The sensor comes with two interchangeable lenses for use in either a 360° high-bay or 360° low-bay general area and includes an aisle mask accessory.

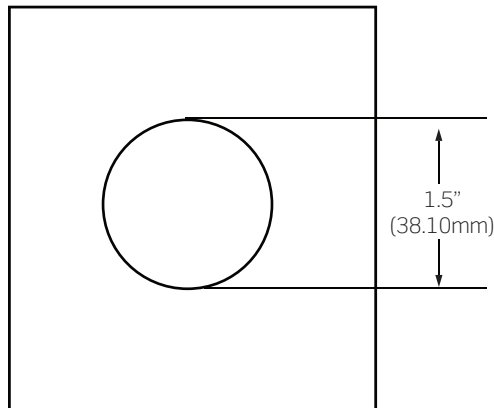
## BASIC OPERATION

The OSFHW installs directly to an industrial fluorescent luminaire or an electrical junction box. The self-contained sensor and relay turns individual light fixtures ON or OFF based on occupancy in the detection zone. The OSFHW provides reliable coverage for up to 40 ft. mounting heights.

## INSTALLATION

The OSFHW mounts directly to an industrial fluorescent fixture or an electrical junction box through a standard 1/2" knockout using the provided lock-nut. Wiring is connected inside the fixture body. Optional offset adapter is available for fixtures requiring additional clearance.

### Standard 1/2" Knockout\*



\*18-22 Gauge Steel

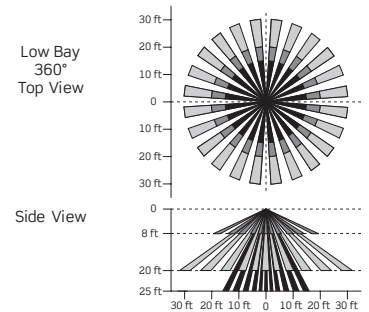
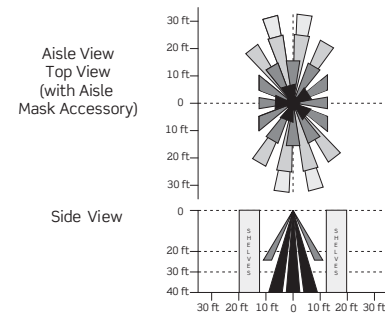
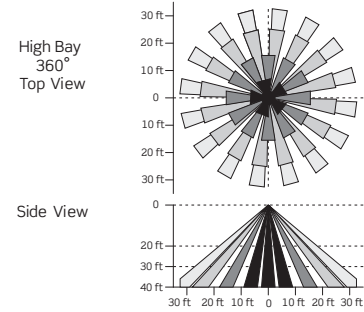


## PRODUCT DATA

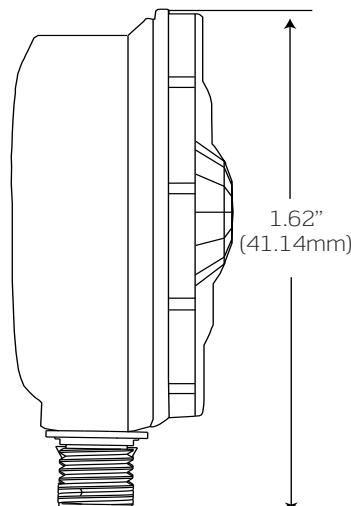
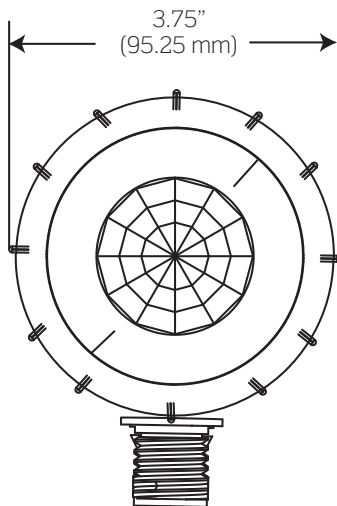
### FEATURES

- **Quicksnap:** built into the 1/2" nipple, this locking mechanism allows for the fastest and easiest mounting not requiring a threaded lock-nut
- **Aisle mask:** one unit includes interchangeable 360° high-bay (20-40') and 360° low-bay (8-25') lenses and an aisle mask accessory
- **Fast, easy time delay setting:** can be set at any time without requiring power to the sensor; time delay is variable from 30 sec-30 min
- **Instantly verify fixture operation and wiring connections:** "instant ON" closing relay fires lamps in under 5 seconds
- **High Inrush Stability (H.I.S.) Technology:**
  - Zero crossing circuitry optimizes relay operation for reliable, long-life operation
  - Robust mechanical latching relay is durable for all load types
- **Auto temperature calibration:** automatically adjusts the PIR sensitivity as ambient temperature rises to increase detection of heat movement through the field-of-view
- **Return to last state:** for safety and energy savings, the OSFHW contains a latching relay—in the event that power is lost to the device, the device will return to the last known state of the relay
- **False detection intelligence:** for increased energy savings and to mitigate nuisance tripping, the super-bright LED indicates advanced detection has been activated and the lights will only turn ON when true occupancy has been determined

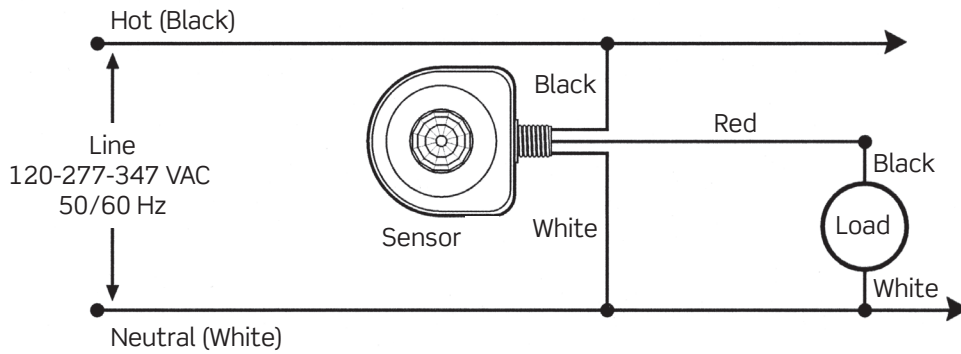
### FIELDS-OF-VIEW



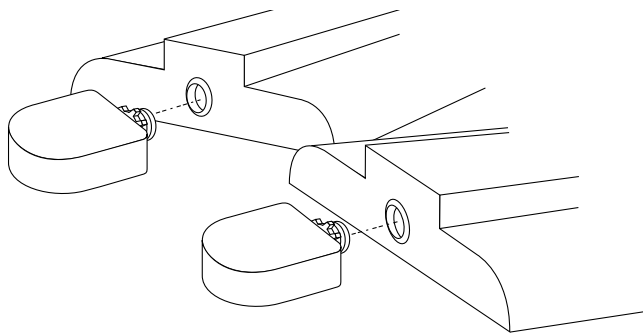
### DIMENSIONS



**WIRING DIAGRAM**

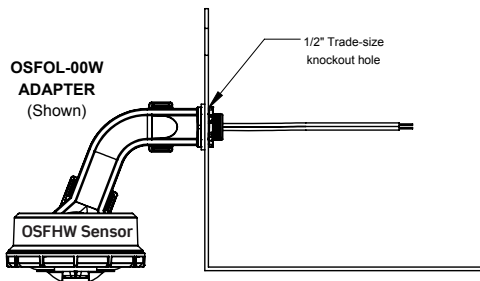


**FIXTURE MOUNTING**

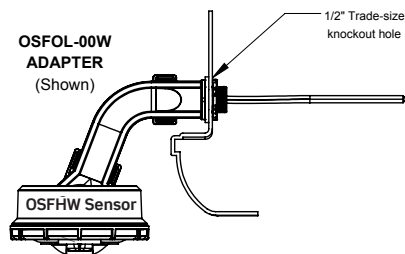


**FIXTURE MOUNTING WITH ADAPTOR ASSEMBLY**

**FLAT LUMINAIRE**



**LUMINAIRE WITH LIP**



**Note:** For taller fixtures, an offset adapter can be used for appropriate sensor positioning

**SPECIFICATIONS**

<b>ELECTRICAL</b>	
<b>Input Voltage</b>	120-277-347VAC
<b>Operational Frequencies</b>	50/60 Hz
<b>Load Rating</b>	800VA @ 120VAC Ballast 1200VA @ 277VAC Ballast 1500VA @ 347VAC Ballast Motor: 1/4 HP Load @ 120V
<b>Standby Power Consumption</b>	120V - 130mW - .13W 277V - 450mW - .45W 347V - 460mW - .46W
<b>Time Delay</b>	30 sec-30 min (factory set to 30 sec - no power required to set)
<b>Wire Designation</b>	-ITW models: Line-Black, Load-Red, Neutral-White
<b>ENVIRONMENTAL</b>	
<b>Operating Temperature Range</b>	-40 to 160° F (-40 to 71° C)
<b>Storage Temperature Range</b>	-14 to 60° F (-25 to 71° C)
<b>Relative Humidity</b>	20 to 90% non-condensing
<b>PHYSICAL</b>	
<b>Dimensions</b>	OSFHW: 4.75" (120.65mm)H x 3.75" (95.25mm)W
<b>Construction</b>	High-impact, injection molded plastic housing
<b>Color</b>	White
<b>OTHER</b>	
<b>Agency Listings</b>	UL and cUL Listed, IP65 rated, can be used to comply with ASHRAE 90.1, and 2016 Title 24, Part 6 occupancy sensing control requirements
<b>Warranty</b>	Limited 5-Year

**OSFHW**

**ORDERING INFORMATION**

<b>CAT. NO.</b>	<b>DESCRIPTION</b>
OSFHW-CTW	Fixture Mount PIR High Bay Wet Location External Occupancy Sensor, 7.5" wire lead length, interchangeable adjustable 360° low-bay (8'-20'), and high-bay (20'-40') lenses, blue aisle mask
OSFOL-00W	Watertight Offset Adapter Accessory for OSFHW, 1 position, white
OSFHL-CTW	Assembly of the OSFOL Adapter and OSFHW-CTW Sensor with 21" leads, 120-277-347VAC

**Leviton Manufacturing Co., Inc. Global Headquarters**

201 North Service Road, Melville, NY 11747-3138 **tel** 800-323-8920 **fax** 800-832-9538 **tech line** (8:30AM-7:00PM ET Mon-Fri) 800-824-3005

**Leviton Manufacturing Co., Inc. Energy Management, Controls and Automation**

20497 SW Teton Avenue, Tualatin, OR 97062 **tel** 800-736-6682 **fax** 503-404-5594 **tech line** (6:00AM-4:00PM PT Mon-Fri) 800-959-6004

**Visit our Website at: [www.leviton.com/sensors](http://www.leviton.com/sensors)**

©2018 Leviton Manufacturing Co., Inc. All rights reserved. Subject to change without notice.