

SYLVANIA Luminaires

Bullet Floodlight



Product Features

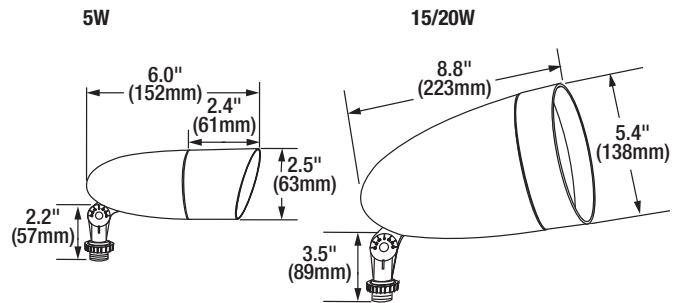
- Lightweight, compact design
- Medium flood distribution
- Easy installation and adjustment with integrated knuckle
- 90% energy savings over traditional light sources

Wattage Comparison Chart

Traditional Source	Traditional System Wattage	LED System Wattage	Energy Savings
50W Halogen	50	5	90%
75W Halogen	75	15	80%
90W Halogen	90	15	83%
35W HPS	42	15	64%
35W HPS	42	20	52%
50W HPS	62	20	68%
90W Halogen	90	20	78%
150W Halogen	150	20	87%

Catalog #	Type
Project	
Notes	
Date	
Prepared by	

Dimensions



Specifications

Weight: 5W: 2.2lbs (1.0kg) 15/20W: 4.3lbs (2.0kg)

Construction: Die Cast aluminum housing with powder coat paint. The standard color is bronze.

LED System: LED system with a life rating of >150,000 hours at L₇₀ @ 25°C. Luminaire efficacy up to 110 LPW.

Electrical: Offered in 5, 15 or 20 watts, the luminaire is designed to operate through the 120-277 V_{AC} universal voltage range. The 5W LED driver has a 2kV, the 15-20W driver has 4kV inherent surge suppression, and is a constant current device. The power factor is ≥90% and THD is ≤20%.

Color Characteristics: CRI >70; CCT of 3000K, 4000K or 5000K.

Optics: UV resistant tempered glass lens.

Operating Temperature: -40°F to +104°F (-40°C to +40°C).

Listings: cULus listed to UL1598C rated for wet locations.

Warranty: Standard 5-year luminaire warranty (LEDLUM001).

Note: Specifications subject to change without notice. IES files available online.



*See page 2 for DLC listings

Ordering Guide

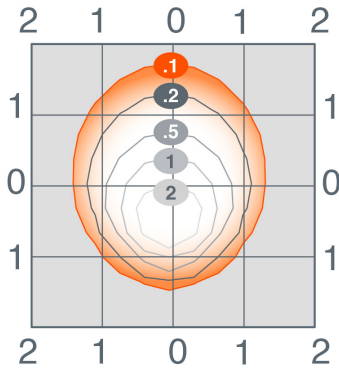
Item Number:

BULLTFL	1A	/	XXX	XXX	7	XX	/	MF	/	BZ
Product Name	Generation		Wattage (UNV)	Voltage	CRI	Color Temp (CCT)		Distribution		Color Finish
BULLTFL	1A		005 = 5 Watts 015 = 15 Watts 020 = 20 Watts	UNV = 120-277V	7 = >70	30 = 3000K 40 = 4000K 50 = 5000K		MF = Medium Flood		BZ = Bronze

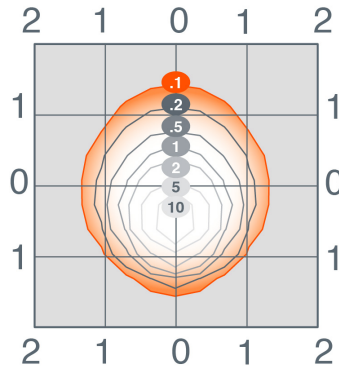


Photometric Data

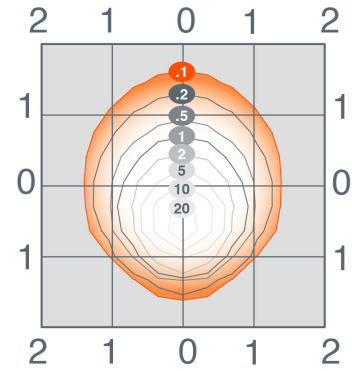
5W BULLTFL1A/005UNV740MFBZ
10' setback with 30° tilt



15W BULLTFL1A/15UNV740MFBZ
10' setback with 30° tilt



20W BULLTFL1A/20UNV740MFBZ
10' setback with 30° tilt



Ordering Information

Item Number	Ordering Abbreviation	Power (W)	Input Voltage	CRI	Color Temp (CCT)	Distribution	Lumens	LPW	DLC
60255 [†]	BULLTFL1A/005UNV730/MF/BZ	5	120-277	>70	3000K	5 x 5	550	100	–
60183	BULLTFL1A/005UNV740/MF/BZ	5	120-277	>70	4000K	5 x 5	550	110	Standard
60184	BULLTFL1A/005UNV750/MF/BZ	5	120-277	>70	5000K	5 x 5	550	110	Standard
60254 [†]	BULLTFL1A/015UNV730/MF/BZ	15	120-277	>70	3000K	4 x 4	1250	90	–
60181 [†]	BULLTFL1A/015UNV740/MF/BZ	15	120-277	>70	4000K	4 x 4	1250	90	–
60182 [†]	BULLTFL1A/015UNV750/MF/BZ	15	120-277	>70	5000K	4 x 4	1250	90	–
60179 [†]	BULLTFL1A/020UNV740/MF/BZ	20	120-277	>70	4000K	4 x 4	2000	100	–
60180 [†]	BULLTFL1A/020UNV750/MF/BZ	20	120-277	>70	5000K	4 x 4	2000	100	–

[†]This NAED does not meet DLC 5.0 and was delisted as of 28 February 2021

LEDVANCE LLC
200 Ballardvale Street
Wilmington, MA 01887 USA
Phone 1-800-LIGHTBULB (1-800-544-4828)
www.sylvania.com

SYLVANIA and LEDVANCE are registered trademarks.
All other trademarks are those of their respective owners.
Licensee of product trademark SYLVANIA in general lighting.
Specifications subject to change without notice.

 /sylvania  /sylvania

