

Helios High Power HD5 High Bay

ELS-HBR-HD5



Optical Data		
	ELS-HBR-HD5-150W	ELS-HBR-HD5-240W
Wattage	150W	240W
LED Type	Seoul	Seoul
Efficiency	150lm/W	150lm/W
Luminous Flux	22 500lm (CCT=5000K)±5%	36 000lm (CCT=5000K)±5%
CCT	3000K/4000K/5000K/5700K/6500K	
Beam Angle	35°/60°/90°/120°	60°/90° Prismatic Lens/120° Glass
CRI	>80Ra	
System Efficiency	>90%	
Dimming	0-10V	

Applications

The Helios high power HD5 high bay is the newest in premium high efficiency LED high bays. Its compact open fin design allows for excellent heat dissipation and extremely long life in an ultra compact size. Suitable for suspending at ceiling heights ranging from 16 feet to 30 feet. High color rendering index and optional prismatic lenses makes it ideal for warehouses, manufacturing plants, retail spaces, and parkades.

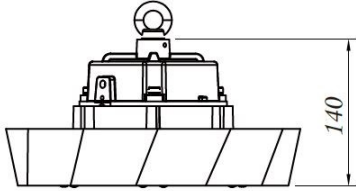
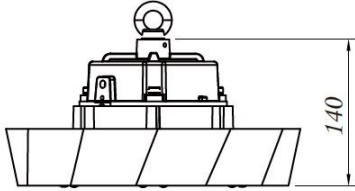
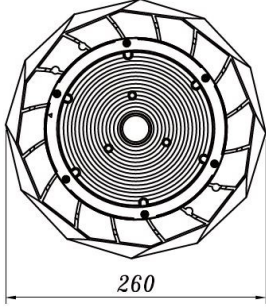
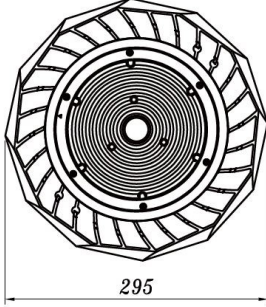
Replaces Metal Halide, High pressure Sodium and Fluorescent lighting

About

- ◆ 50 000 hour life L70 (estimated life time)
- ◆ Ultra high efficiency 150 lumens/watt
- ◆ 7 year warranty
- ◆ DLC 4.2 Premium listed
- ◆ Waterproof IP65
- ◆ CRI 80+ gives true colour rendering in retail spaces
- ◆ 100-277 or 100-347 operating voltage
- ◆ Prismatic lens available
- ◆ -30°C to 50°C operating range

Electrical Data		
	ELS-HBR-HD5-150W	ELS-HBR-HD5-240W
Wattage	150W	240W
Power Supply	Sosen	
Input Voltage	AC 100-277V AC 100-347V	
Output Voltage	DC 180-260V	
Power Frequency	50/60Hz	
Power Efficiency	>95%	
Power Factor	0.93	
Total Harmonic Distortion	<15%	

Other Data		
	ELS-HBR-HD5-150W	ELS-HBR-HD5-240W
Wattage	150W	240W
IP & IK Rating	IP65 & IK08	
Lifetime (LM70)	50 000 Hours	
Heat Radiator	Die-cast aluminum	
Lens Material	PC/Glass	
Carton Dimensions	L310mm*W310mm*H175mm	
Gross Weight	3.2Kg	4.5Kg
Net Weight	2.2Kg	3.5Kg

Dimensions	
150W	240W
	
	
Φ260*H140mm	Φ295*H140mm



Prismatic Lens

**If you have any questions
Please call or visit our showroom**

All products should be installed by a qualified technician in accordance with the Canadian Electrical Code



#4, 2015 32Ave NE | infor@ecolighting.ca | www.ecolighting.ca